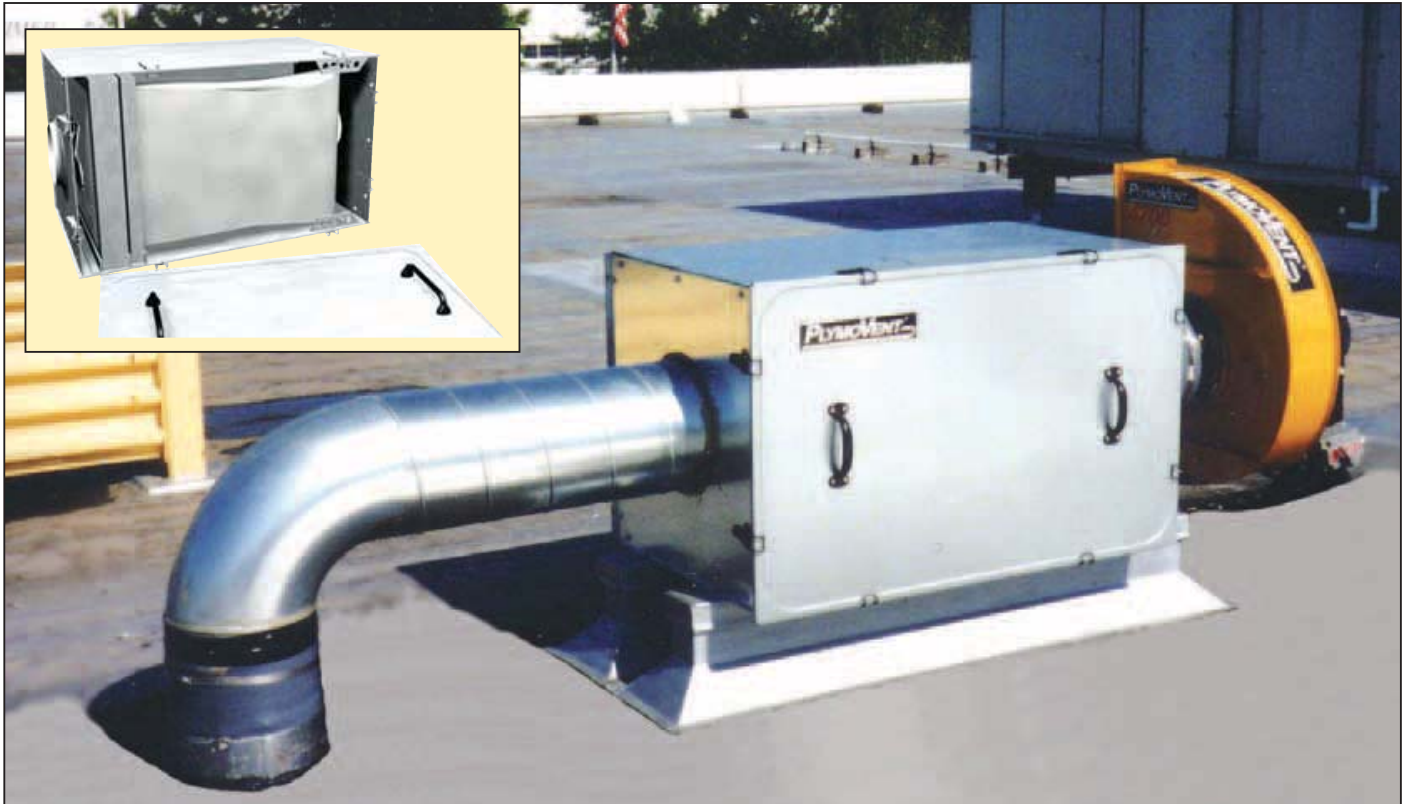


Uni-filter Emissions Control

PLYMOVENT®
INTELLIGENT PROCESS VENTILATION™

Meet Environmental Clean Air Standards

The uni-filter is the answer to protecting the environment from vehicle exhaust emissions that pollute the surrounding neighbourhood. With a uni-filter you protect your neighbourhood from the same hazardous pollutants as you protect your employees and work place.

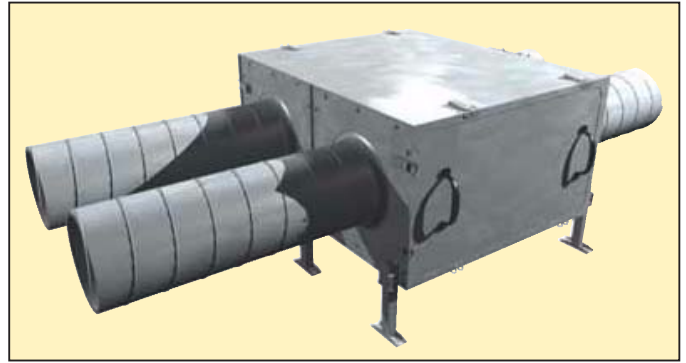


Many countries have adopted clean air standards in an effort to reduce emissions that contribute to the greenhouse effect.

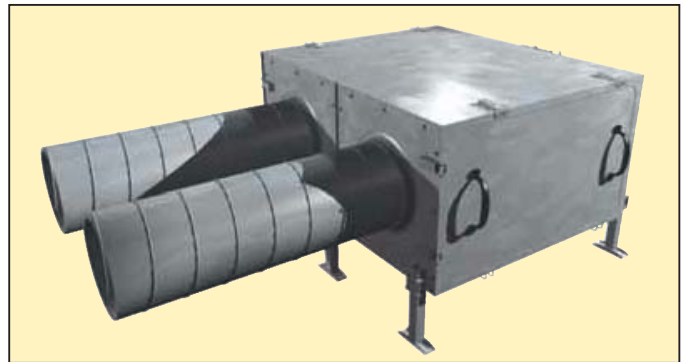
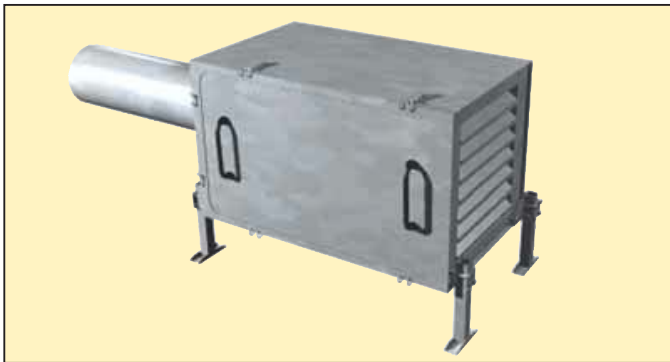
The uni-filter can be installed in indoor and outdoor locations and mounted to the ceiling, wall or on the roof, whatever your requirements demand. Manufactured of all weather, corrosion resistant galvanized steel, that will provide you with years of trouble free service.

Filter elements are easily accessed through the removable filter door. The uni-filter incorporates an exclusive sure lock filter seal system which guarantees that filters are sealed and in the right position all the time. This new sealing system eliminates the possibility for contaminants bypassing the filter elements. Filter elements are available in efficiencies from 97% through 99.97% and remove emissions as small as 0.3 microns in size.

Visit us on internet at: www.PacAir.net



The negative pressure design uni-filters are equipped with 400 mm/16" diameter inlet and outlet that can be reduced for smaller duct work diameters and lower air volumes. The uni-filter can be placed before the fan and anywhere after the last point of extraction or hose drop.



The positive pressure design uni-filters are equipped with a 400 mm/16" inlet and a flat louver outlet grille. The inlet can be reduced for smaller duct diameters or air volumes and the outlet grille can be rotated in four directions of discharge.

TECHNICAL DATA

Uni Filter Emissions Control System

incl. pre-filter, bag filter, pressure switch and leg mounting kit.

Prod. no.	Description	Max airvolume
UFS-1-NPD	Complete filter, 400 mm/16" duct connection in and out	5100 m ³ /h / 3000 CFM
UFS-2-NPD	Complete filter, 400 mm/16" duct connection in and out	10200 m ³ /h / 6000 CFM
UFS-1-PPD	Complete filter, 400 mm/16" duct connection, louver outlet	5100 m ³ /h / 3000 CFM
UFS-2-PPD	Complete filter, 400 mm/16" duct connection, louver outlet	10200 m ³ /h / 6000 CFM

Accessory

Prod. no.	Description
HFU-99.97	HEPA-filter for Uni-filter systems

PlymoVent reserves the right to make design and technical changes.