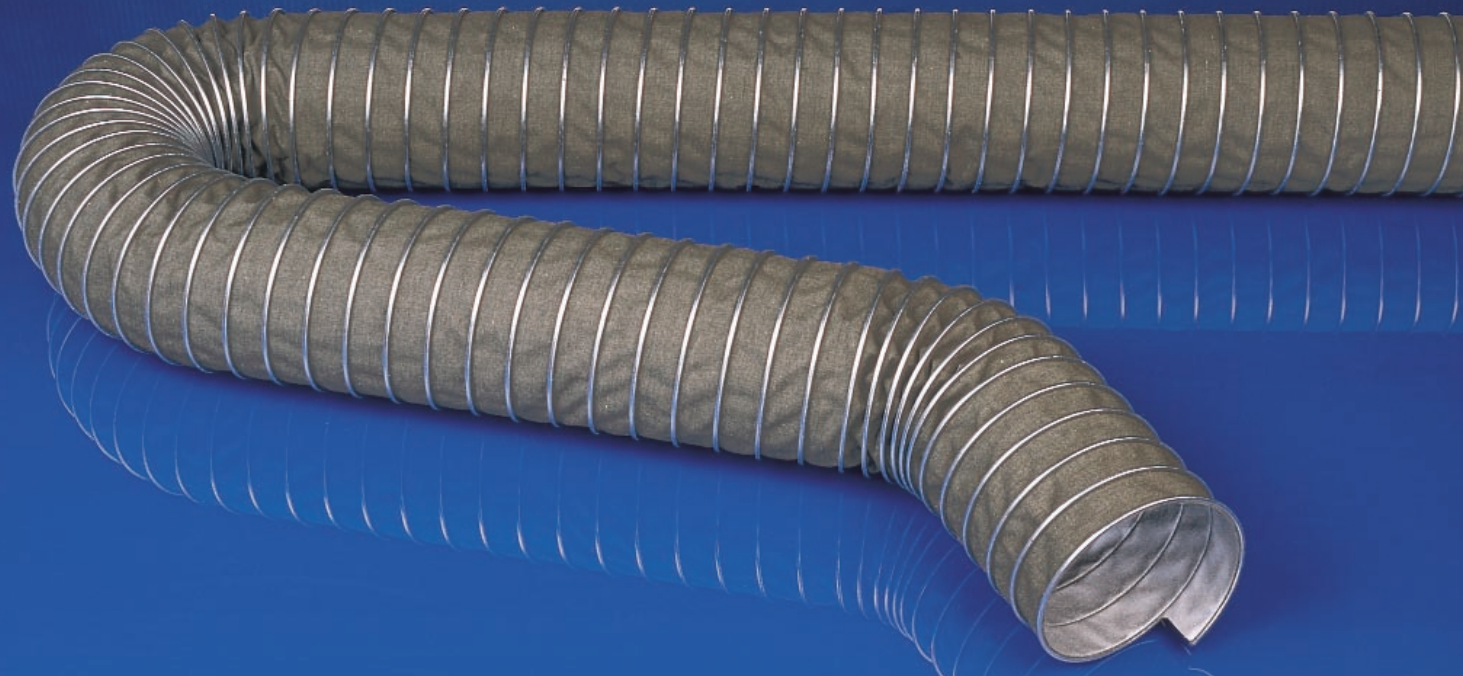


## MEDIUM AND HIGH TEMPERATURE HOSE FOR TEMPERATURES UP TO +570°F



5.1.6

## MASTER-CLIP CAR

### Material

**hose wall:** special-coated high-temperature fabric  
**external helix:** galvanized steel

### Applications

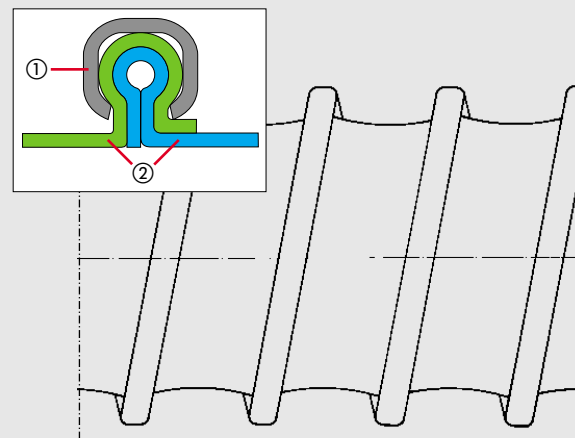
- suction plants
- vehicle and engine construction
- fume exhaustion (especially diesel engine fumes)
- aircraft industries
- defense industries
- general engineering
- hot air
- low pressure applications

### Properties

- primarily suited as suction hose
- very good temperature resistance
- flame resistant
- high resistance to mechanical loadings
- vibration resistant
- abrasion resistant
- highly flexible
- extremely compressibility 1:6
- small bend radius
- external steel helix protects against abrasion
- special clamping method guarantees high tensile strength between hose material and external helix

### Construction

- ① external helix
- ② hose wall: special-coated high temperature fabric



### Temperature Range

- -75°F up to +570°F
- intermittent to +660°F

Technical Data, custom designs and forms of delivery see back page



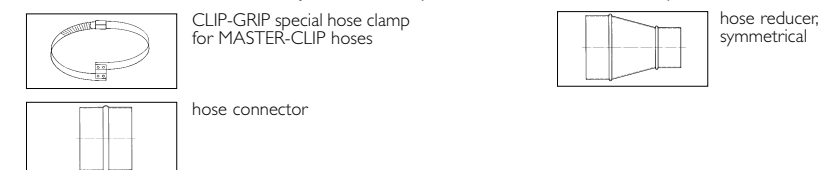
## MASTER-CLIP CAR

Dia. (in.)	Positive (in. w.c.)	Negative (in. w.c.)	*Bending radius (in.)	Weight (lbs./ft.)	Product code
1.6	374	144	0.96	0.3355	225-040-120
1.8	370	136	1.08	0.3355	225-045-120
2.0	362	128	1.20	0.3355	225-050-120
2.2	342	106	1.32	0.4026	225-055-120
2.4	313	89	1.44	0.4026	225-060-120
2.6	273	76	1.56	0.4697	225-065-120
2.8	269	64	1.68	0.4697	225-070-120
3.0	249	56	1.80	0.5368	225-075-120
3.2	245	50	1.92	0.5368	225-080-120
3.6	225	40	2.16	0.5368	225-090-120
4.0	205	32	2.40	0.6039	225-100-120
4.4	193	26	2.64	0.6039	225-110-120
4.8	145	22	2.88	0.6710	225-120-120
5.0	133	20	3.00	0.6710	225-125-120
5.2	113	19	3.12	0.7381	225-130-120
5.6	100	16	3.36	0.7381	225-140-120
6.0	88	14	3.60	0.8052	225-150-120
6.4	84	12	3.84	0.8052	225-160-120
6.8	76	11	4.08	0.8723	225-170-120
7.0	74	10	4.20	0.9394	225-175-120
7.2	69	10	5.04	0.9394	225-180-120
8.0	59	8	5.60	1.0736	225-200-120
8.6	51	7	6.04	1.1407	225-215-120
9.0	46	6	6.32	1.2078	225-225-120
10.0	40	5	7.00	1.3420	225-250-120
11.0	32	4	7.72	1.4091	225-275-120
12.0	28	4	8.40	1.4762	225-300-120
12.6	25	3	8.84	1.4762	225-315-120
13.0	24	3	9.12	1.5433	225-325-120
14.0	23	3	9.80	1.7446	225-350-120
15.0	20	2	12.00	1.9459	225-375-120
16.0	19	2	12.80	2.0801	225-400-120
18.0	18	2	14.40	2.4156	225-450-120
20.0	17	1	16.00	2.7511	225-500-120
22.0	17	1	17.60	3.0866	225-550-120
24.0	16	1	19.20	3.4221	225-600-120
28.0	12	1	22.40	4.0260	225-700-120
32.0	9	1	25.60	4.6299	225-800-120
36.0	6	1	28.80	5.2338	225-900-120

\* Referring to the inner side of the elbow of hose.

The above mentioned data refers to an average and ambient temperature of 68°F. Subject to technical changes and color variations. Please refer to technical data sheet when selecting hose.

Installation and connection possibilities (see section no. 11 and 12):



### Delivery forms:

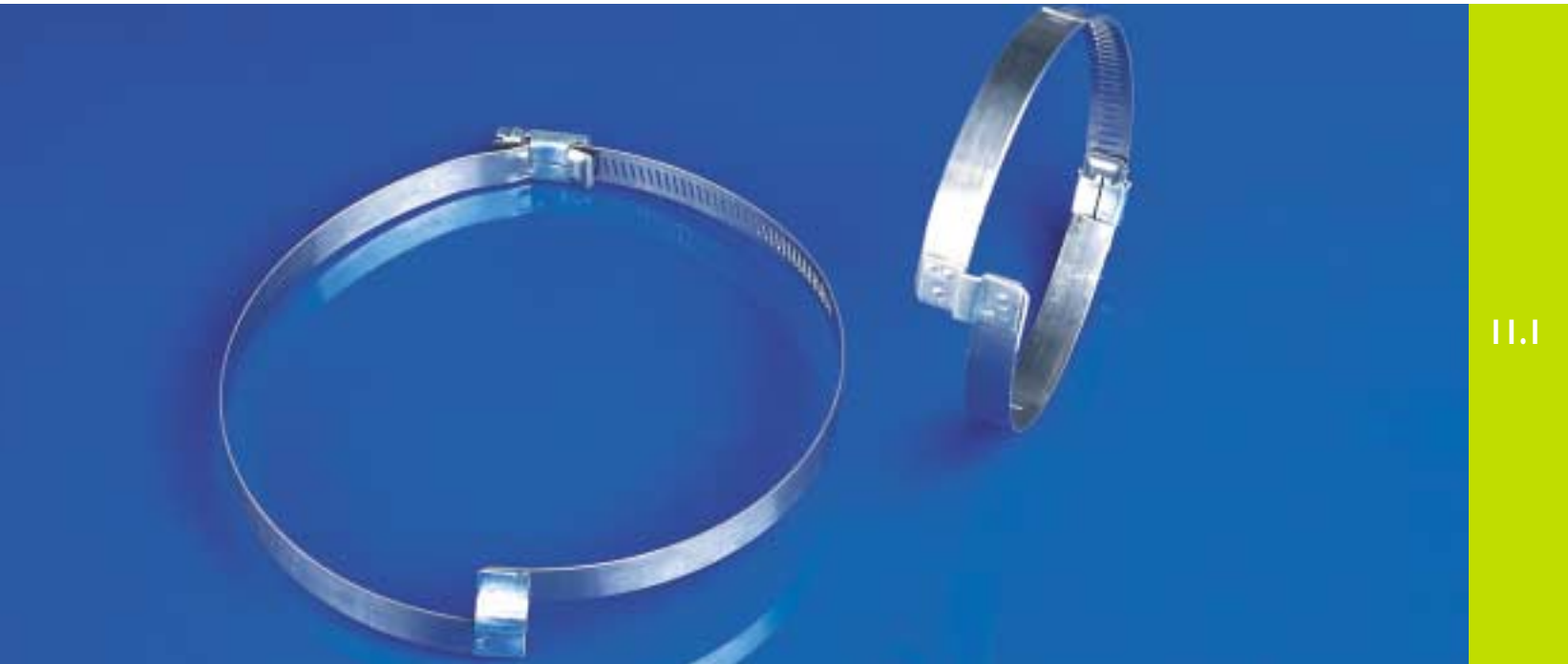
Standard production:

- Dia. 1.6" - 3.6"
- Color: inside silver-grey outside green-grey
- Production lengths 10', 25'

Available on request:

- special diameters
- special lengths
- custom design with other pitches and helix sizes
- external helix also in stainless steel or aluminium
- double layer construction with raised vacuum resistance (up to 30 % more than single layer standard hose types)

## SPECIAL HOSE CLAMP FOR MASTER-CLIP HOSES



11.1

## CLIP-GRIP

### Material

clamp band: galvanized steel  
 screw casing: galvanized steel  
 bridge: galvanized steel

### Properties

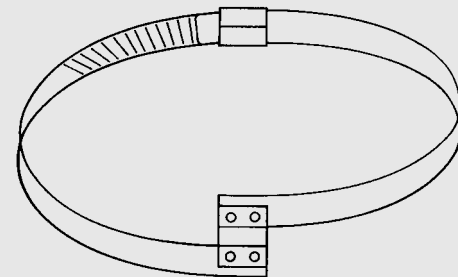
- rust resistant
- easy to install
- extra strength

### Applications

- special hose clamps for securing all types of hoses from the MASTER-CLIP series on mobile and stationary units

### Construction

- hose clamp with one or more worm drive(s)
- with a hexagon head screw
- with one or more spot-welded bridges



Technical Data, custom designs and forms of delivery see back page

## CLIP-GRIP

For MASTER-CLIP hoses (Dia.)	Clamping range (in.)	Product code
1.52" thru 36"	1.52" thru 36"	530-038-100 thru 530-900-100

### Note:

CLIP-GRIP worm drive hose clamps are only suitable for securing MASTER-CLIP hoses. We recommend our standard worm drive hose clamps or heavy duty bolted clamps for securing other spiral hoses.

### Delivery forms:

#### Standard production:

- clamping ranges from 1.52" - 36.2"

#### Available on request:

- in stainless steel
- other clamping ranges
- reinforced clamps with additional bridges

## CARFLEX SUPER + MASTER-PUR STEP



11.2

## CAR-GRIP

for CARFLEX-SUPER and MASTER-PUR STEP (Dia.)	Clamping range (in.)	Product code
2.4" thru 10"	2.4" thru 12"	531-060-100 thru 531-250-100

### Note:

CAR-GRIP worm drive hose clamps are only suitable for securing CARFLEX SUPER hoses. We recommend our standard worm drive hose clamps or heavy duty bolted clamps for securing other spiral hoses.

### Delivery forms:

- Standard production:**
- clamping ranges from 2.4" - 12"
- Available on request:**
- in stainless steel
  - other clamping ranges

## CAR-GRIP

### Material

**clamp band:** galvanized steel  
**screw casing:** galvanized steel  
**bridge:** stainless steel

### Properties

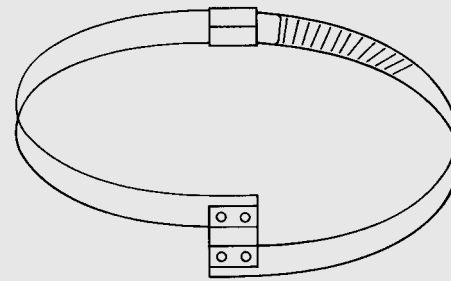
- rust resistant
- easy to install
- extra strength

### Applications

- special hose clamps for securing CARFLEX SUPER and MASTER-PUR STEP hoses on mobile and stationary units

### Construction

Hose clamp with worm drive with hexagon recessed head screw and spot-welded bridge



Technical Data, custom designs and forms of delivery see back page

## HOSE CLAMP, BOLT CLAMP



11.3

## HOSE CLAMP, BOLT CLAMP

### Material

clamp band: galvanized steel  
screws: galvanized steel

### Properties

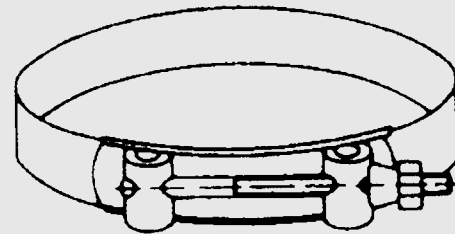
- rust resistant
- extra strength
- band width .70" - 1.0"
- band thickness .023" - .063"

### Applications

- for attaching medium-weight and heavy spiral hoses onto connecting branches on mobile and stationary units

### Construction

Large strip hose clamp with fastening lug



Technical Data, custom designs and forms of delivery see back page

## HOSE CLAMP, BOLT CLAMP

Clamping range (in.)	Width x thickness (in.)	Product code
1.25" thru 20"	.80" x .03" thru 1.00" x .04"	621-032-115 thru 621-500-115

### Note:

Heavy duty bolted clamps are suitable for the mounting of medium and heavy weight spiral hose types. For the mounting of lightweight hose qualities we recommend worm drive hose clamps.

### Delivery forms:

#### Standard production:

- clamping ranges from 1.25" - 20"

#### Available on request:

- in stainless steel
- other clamping ranges

## HOSE CLAMP WITH WORM GEAR DRIVE



11.4

## HOSE CLAMP WITH WORM GEAR DRIVE

### Material

clamp band: galvanized steel  
screw casing: galvanized steel

### Properties

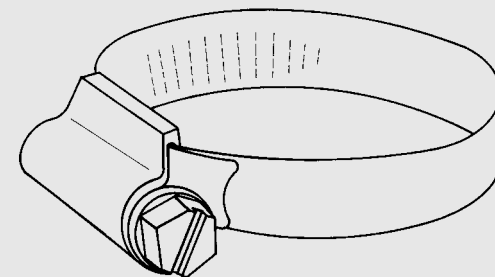
- rust resistant
- extra strength

### Applications

- for attaching light spiral hoses onto connecting branches on mobile and stationary units

### Construction

one-piece hose band clamps with a hexagon head screw, recessed



Technical Data, custom designs and forms of delivery see back page

## HOSE CLAMP WITH WORM GEAR DRIVE

Clamping range (in.)	Product code
1" thru 20"	620-025-100 thru 620-500-100

### Delivery forms:

Standard production:  
● clamping ranges from 1" - 20"

Available on request:  
● in stainless steel  
● other clamping ranges

### Note:

Worm drive hose clamps are suitable for the mounting of lightweight spiral hose types. For the mounting of heavy weight hose qualities we recommend the heavy duty bolted clamps.

# HOSE REDUCER



11.5

# HOSE REDUCER

**Material**

galvanized steel

**Applications**

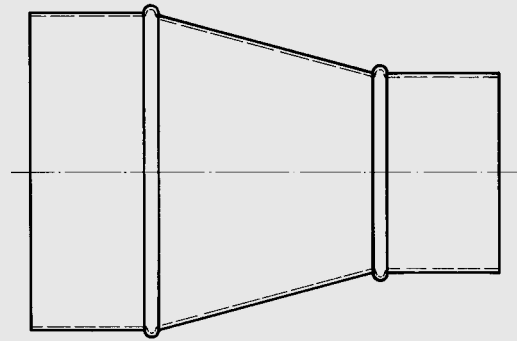
- for extending, connecting and attaching lightweight or medium weight hoses

**Properties**

- easy to install
- lightweight
- resistant to corrosion

**Construction**

reducer of rolled sheet steel with beadings on both ends



Technical Data, custom designs and forms of delivery see back page

# HOSE REDUCER

(Dia. 1)	(Dia. 2)	S Ga.	L1 (in.)	L2 (in.)	Product code
3" thru 12"	2" thru 10"	24	3.5"	3"	632-080-050 thru 632-300-250

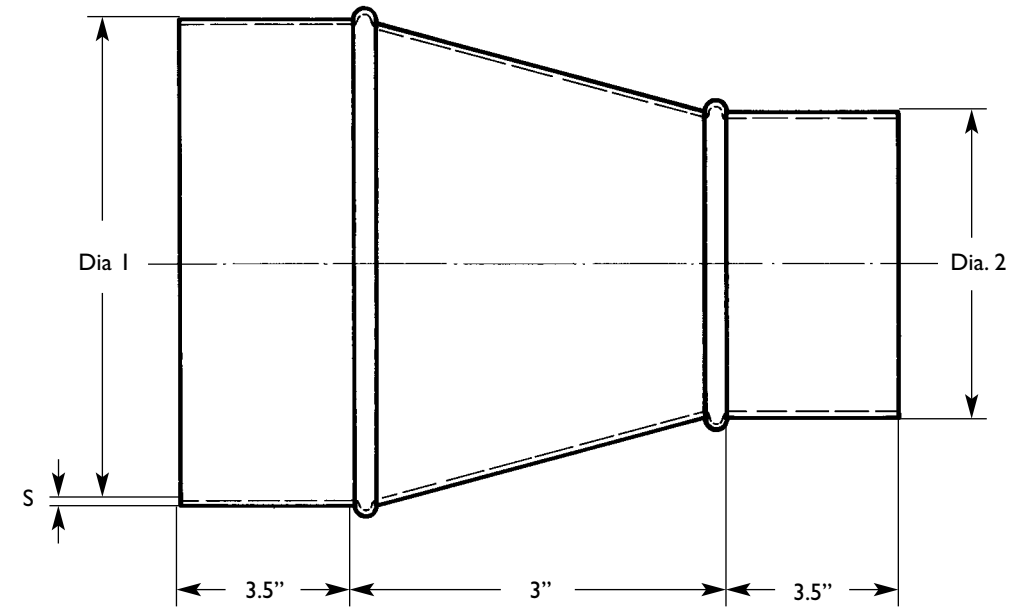
**Delivery forms:**

Standard production:

- galvanized steel

Available on request:

- special diameters
- stainless steel



# HOSE CONNECTOR



11.6

# HOSE CONNECTOR

### Material

galvanized steel

### Applications

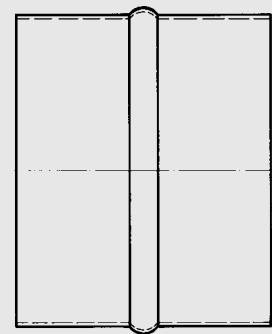
- extending, connecting and attaching lightweight or medium weight hoses

### Properties

- easy to install
- lightweight
- resistant to corrosion

### Construction

rolled sheet steel with beandings



Technical Data, custom designs and forms of delivery see back page

# HOSE CONNECTOR

(Dia.)	Ga.	L (in.)	Product code
2" thru 36"	24	3.5"	630-050-100 thru 630-900-100

### Delivery forms:

Standard production:

- galvanized steel

Available on request:

- special sizes
- stainless steel

